



# Ornament Box - Before You Begin

## Construction Details

*This will work with material that is between .120" & .124" in thickness*

Thank you for downloading this file. At any point if you run into trouble or don't understand a direction, please let me know.

This will take 2 boards of 1/8" MDF, 1 Board of 1/8" Acrylic of your choice, and less than 1 sheet of veneer of your choice. I used Cherry but you could use whatever you want.

You will see some boards have a score as well as a cut. You will see the layers in the the left menu file in the GFUI. Set up the layers so that you score first then cut.

My version of this Box was made entirely of 2 Boards of 1/8" MDF with a thickness variable between .120" and .124". If you are using material under or over this variable I cannot be held responsible for the outcome of your finished product.

I hope you enjoy building this Snowflake Ornament box! Please let me know how yours turns out!!

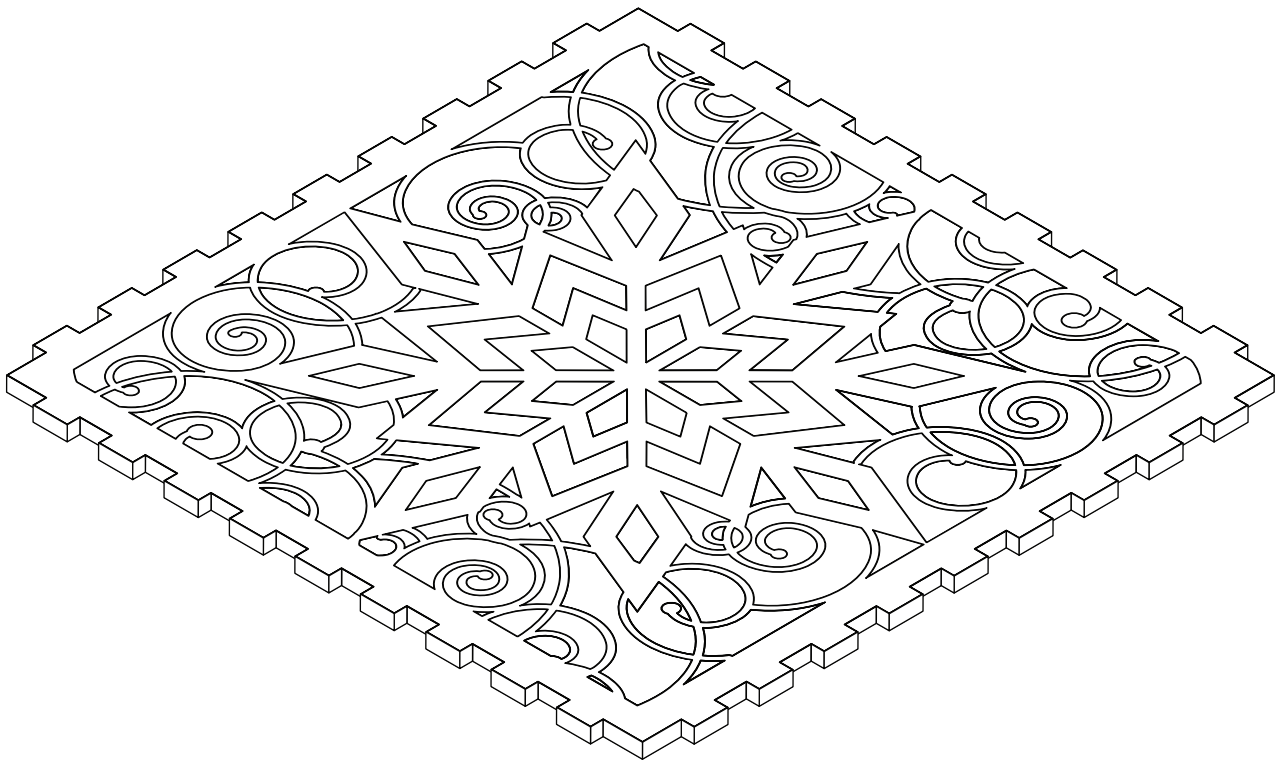
-Victor  
Excited Atom Design



## Construction Details

*This will work with material that is between .120" & .124" in thickness*

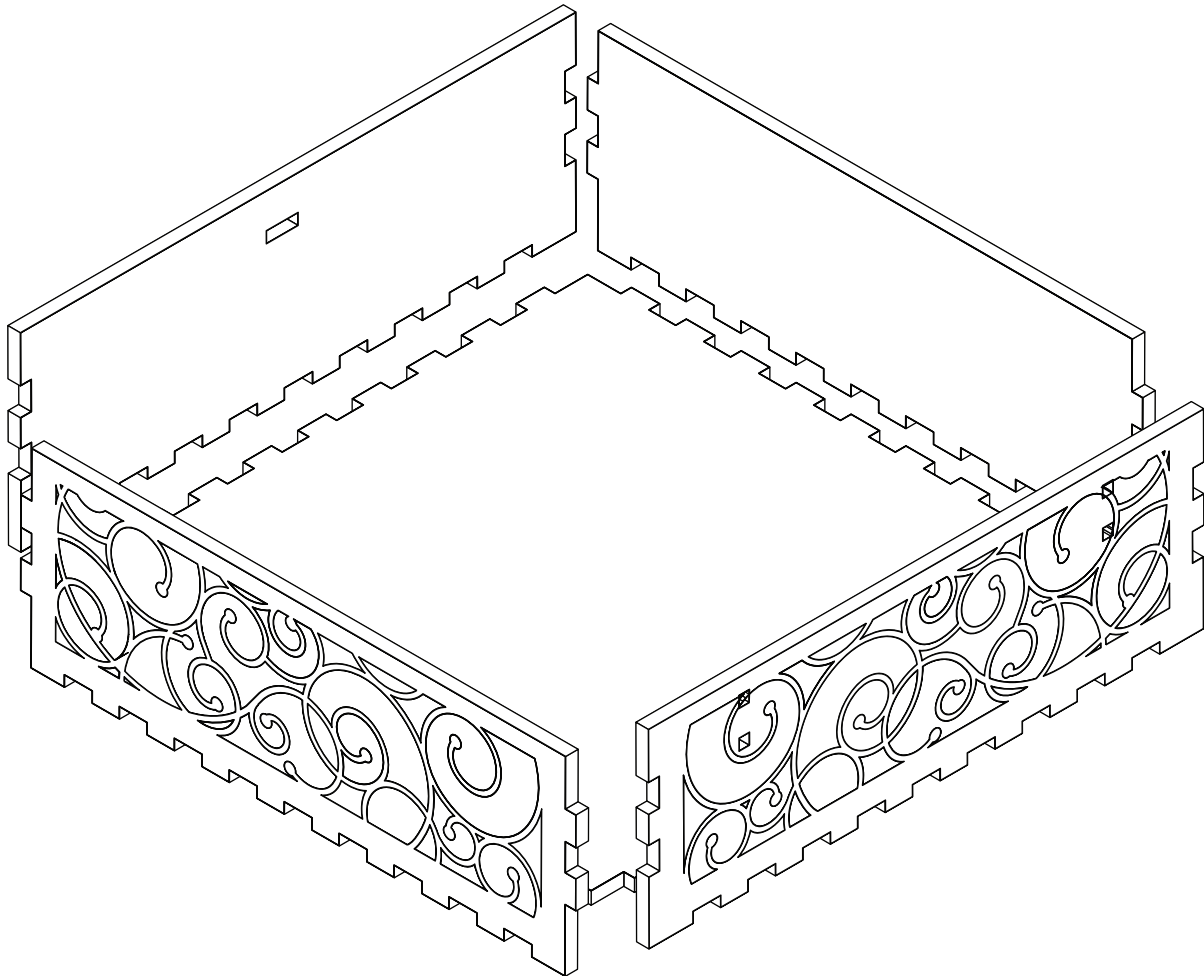
1. If you want the two-toned look, just peel away the masking from the outside layer. Then spray with 2 coats of your favorite Polyurethane. Do this for all the box pieces. Allow to dry fully. Then peel away the masking for the rest of the piece.



## Construction Details

*This will work with material that is between .120" & .124" in thickness*

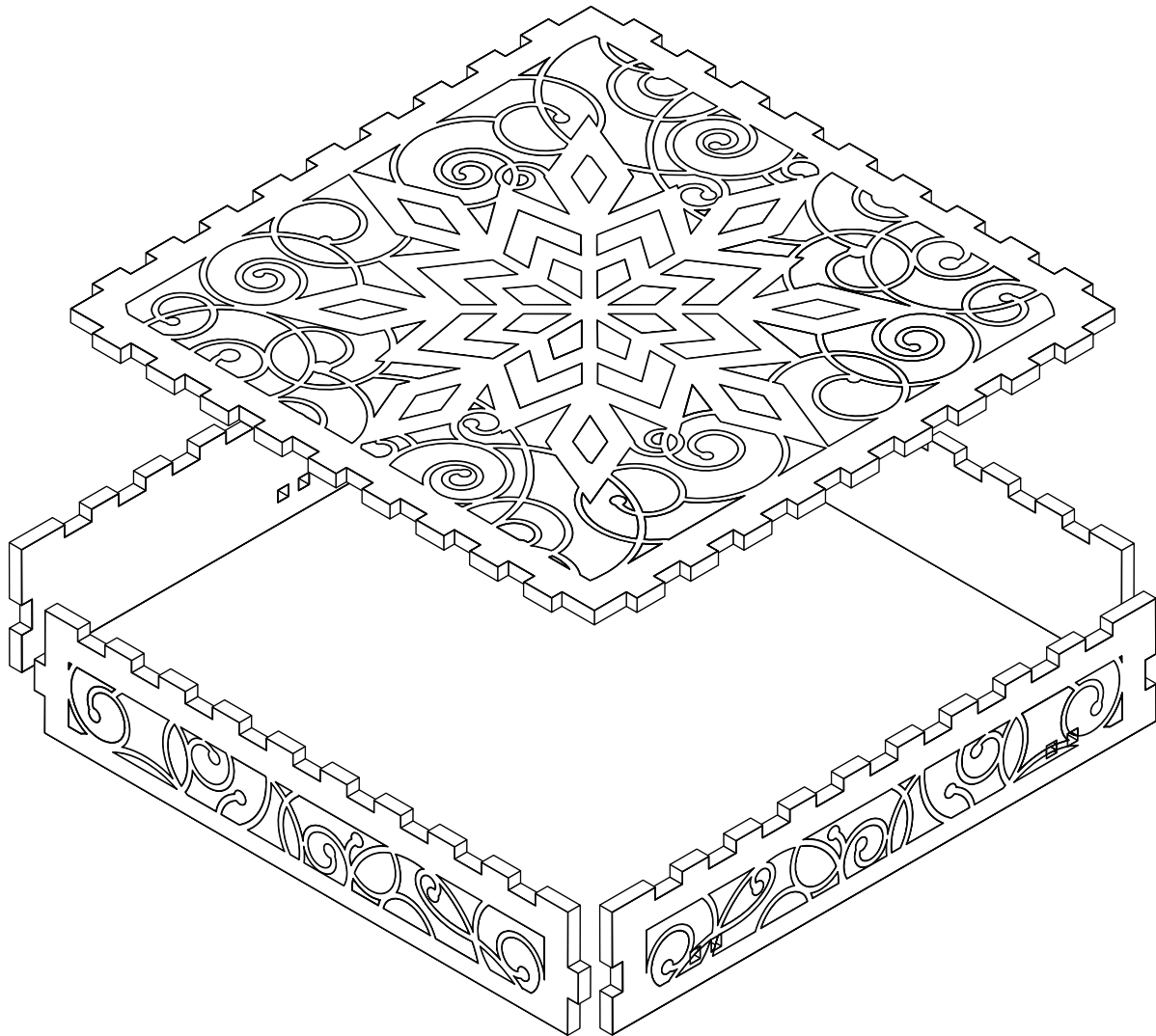
2. Glue the Box Bottom together as shown.



## Construction Details

*This will work with material that is between .120" & .124" in thickness*

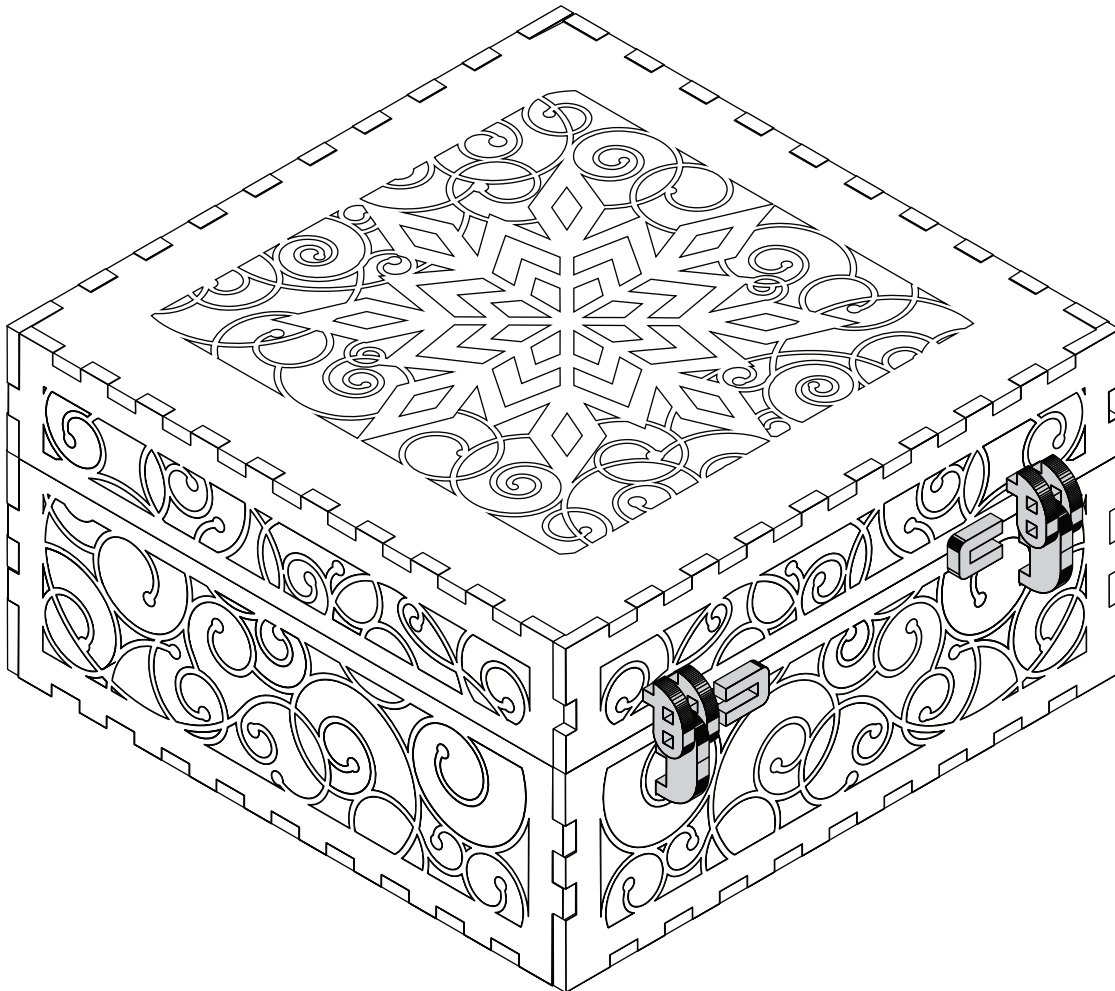
3. Glue the Box Top together as shown.



## Construction Details

*This will work with material that is between .120" & .124" in thickness*

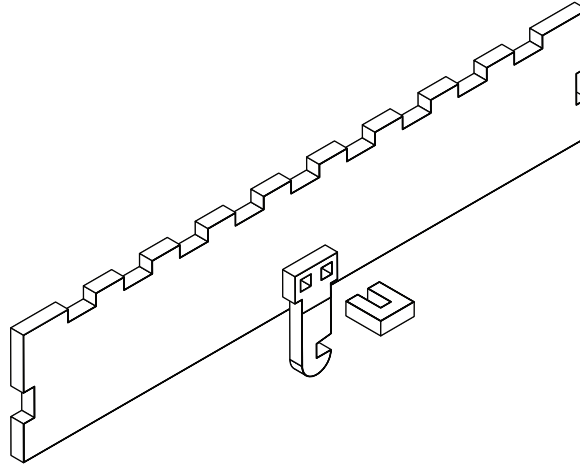
4. Set the Top on the bottom and glue the hinges into place. Then push the hinge clip through the holes.



## Construction Details

*This will work with material that is between .120" & .124" in thickness*

5A. Glue the top latch into place by gluing the clamp through the latch into the back of the top of the box.



5B. Push the Lock slide through the slot in the bottom of the box and then slide the snowflake over it. Glue the Star clamps into the slot. Slide left to lock, right to unlock.

