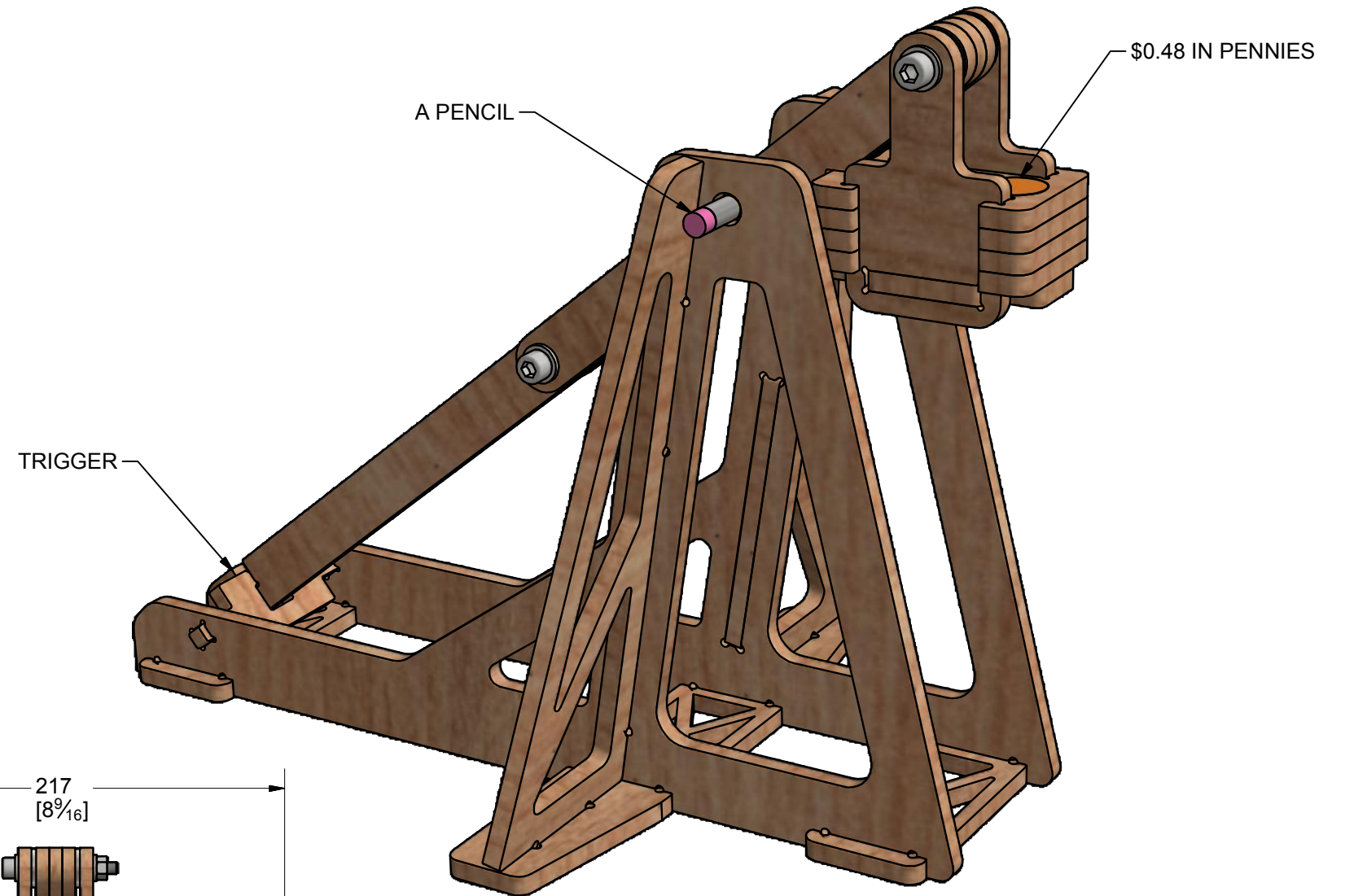
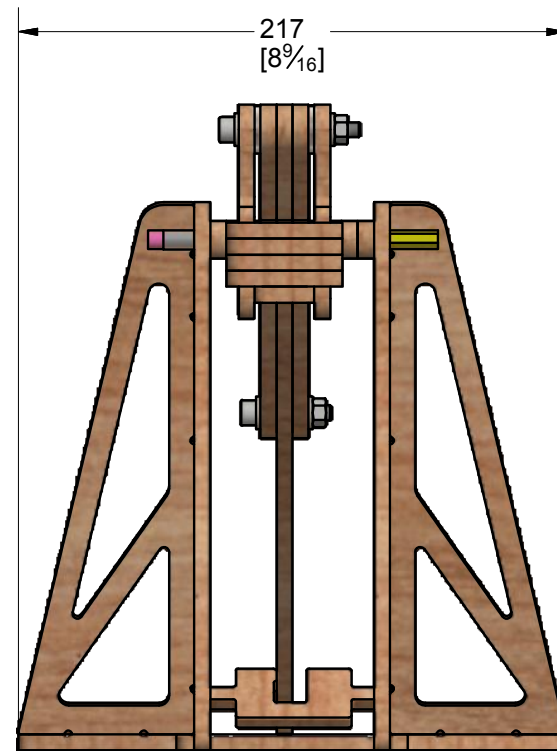
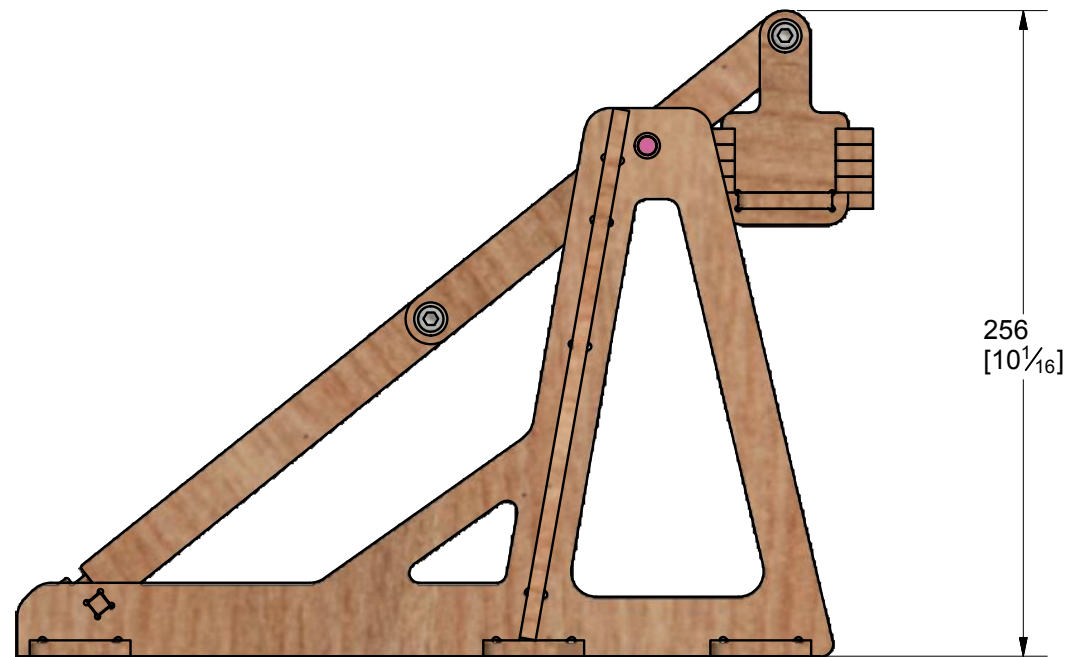
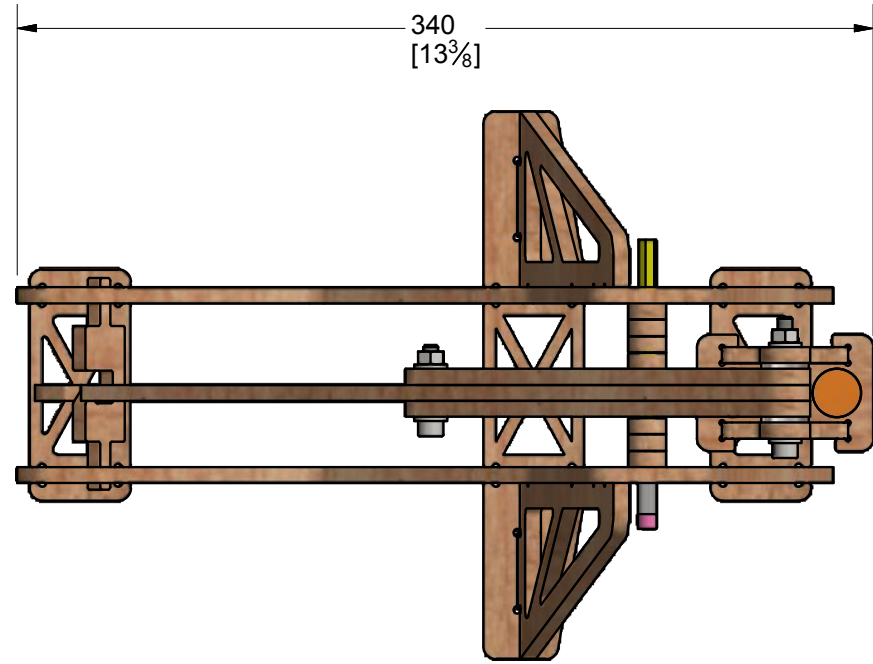


THROWWA

A DESK TOY OF QUESTIONABLE SAFETY

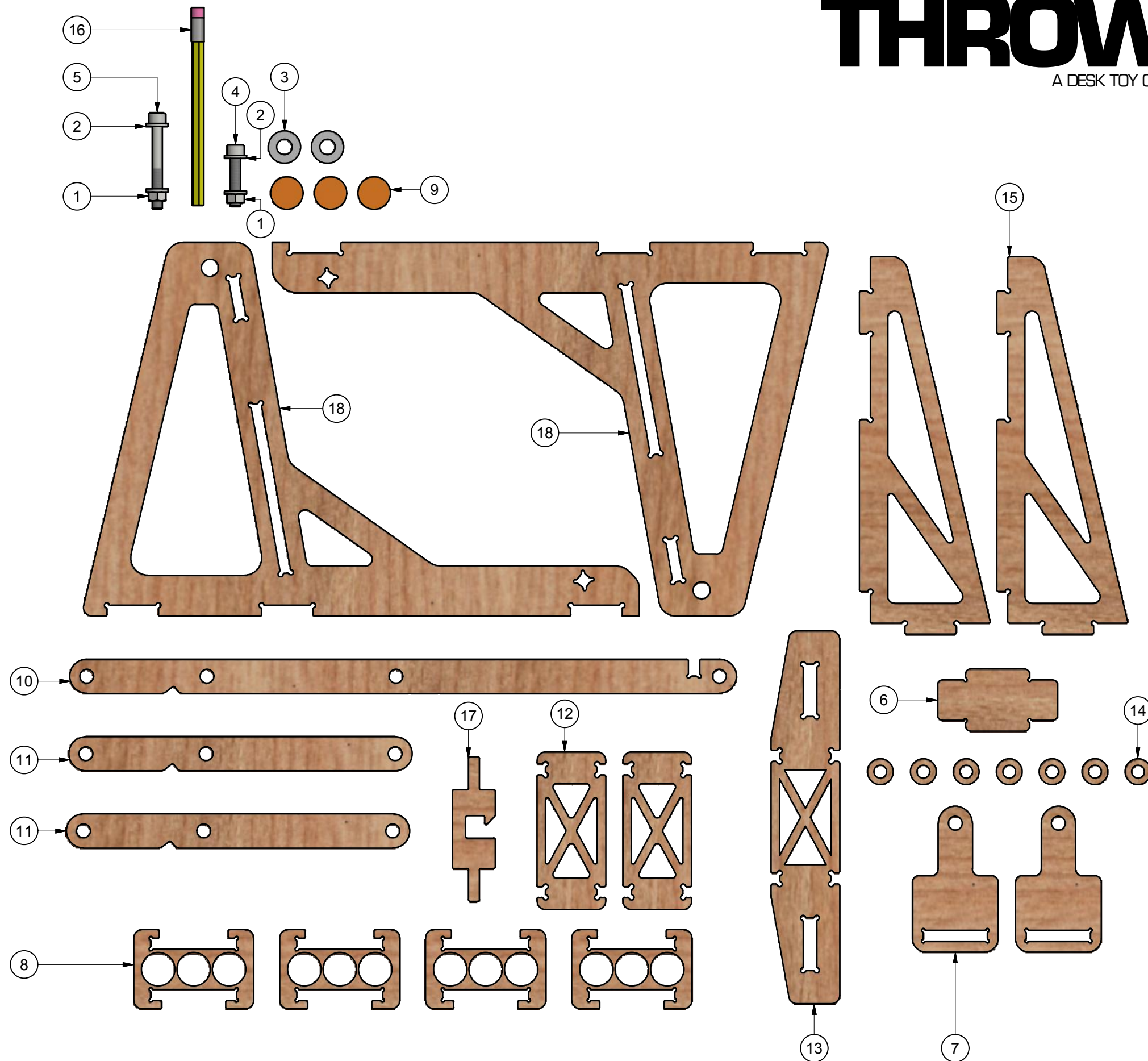


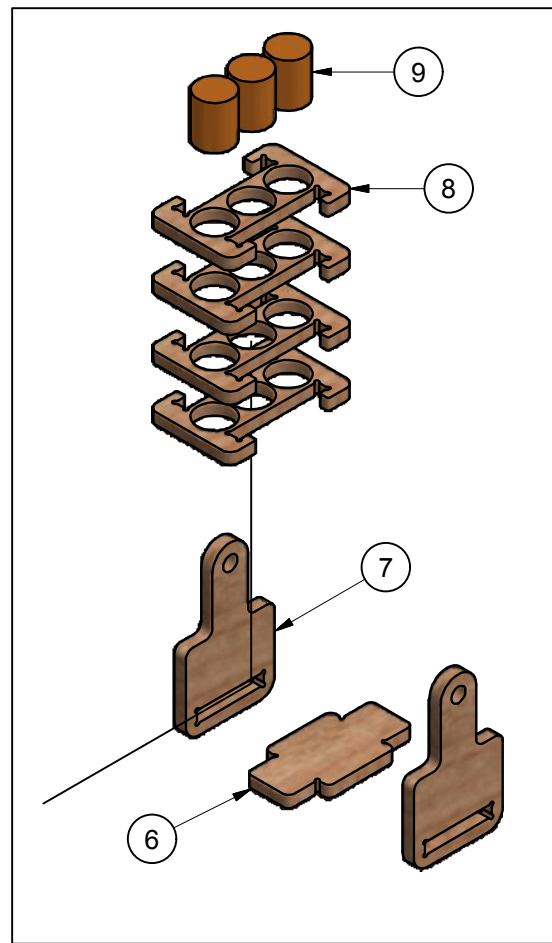
THROWWA

A DESK TOY OF QUESTIONABLE SAFETY

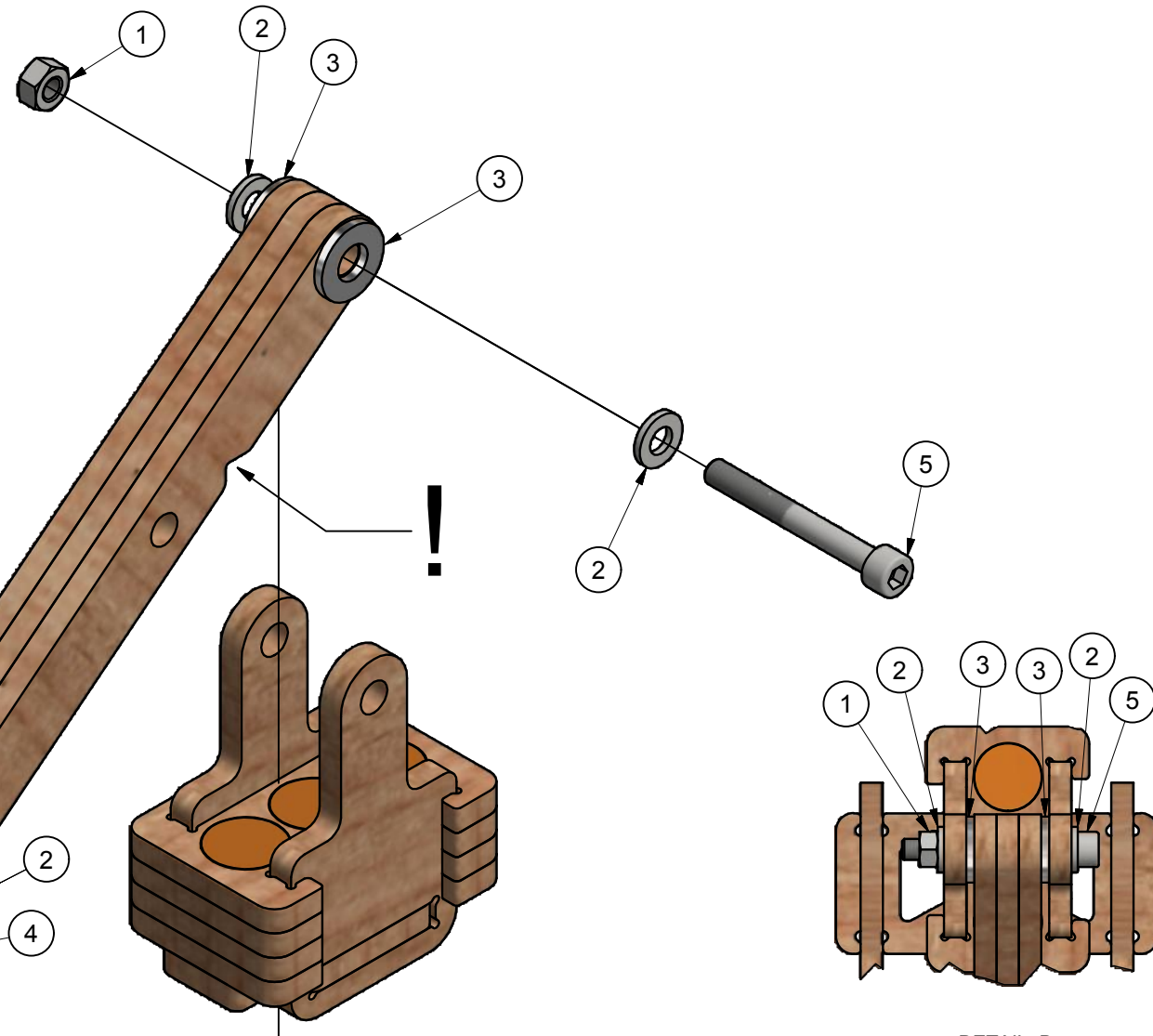
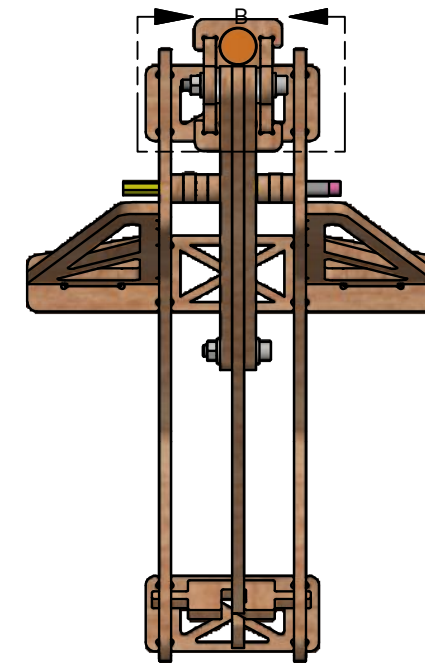
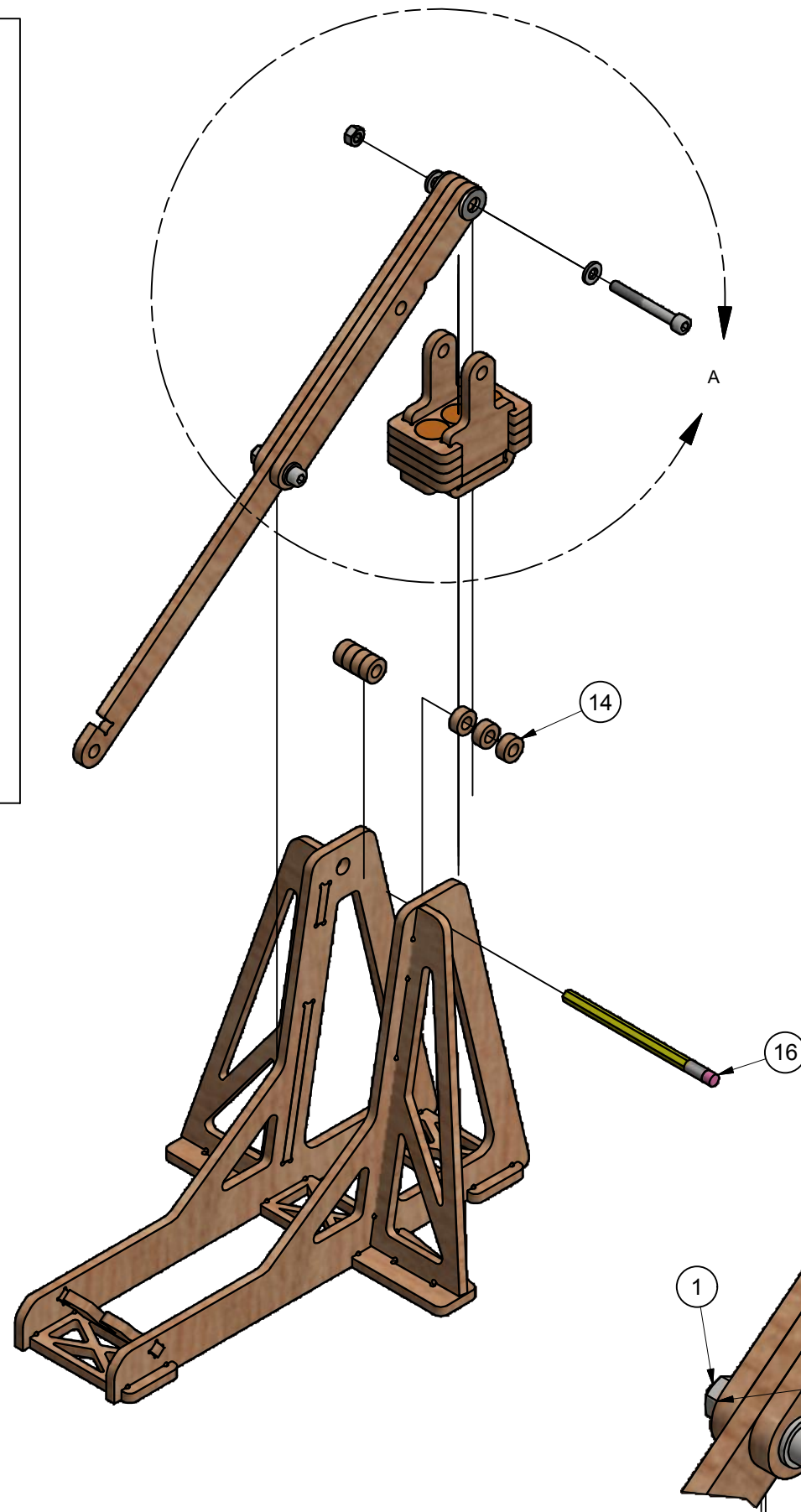
Part List		
ITEM	QTY	DESCRIPTION
1	2	HEX NUT, M6x1
2	4	WASHER, PLAIN, M6
3	2	WASHER, PLAIN, M6
4	1	SOCKET HEAD CAP SCREW, M6x30
5	1	SOCKET HEAD CAP SCREW, M6x50
6	1	COUNTERWEIGHT BASE PLATE, TREBUCHET
7	2	COUNTERWEIGHT MAIN FRAME, TREBUCHET
8	4	COUNTERWEIGHT INSERT, TREBUCHET
9	3	STACK OF 16 PENNIES
10	1	THROWING ARM, PRIMARY, TREBUCHET
11	2	ARM SUPPORT, TREBUCHET
12	2	TRANSVERSE BRACE, TREBUCHET
13	1	TRANSVERSE BRACE, EXTENDED, TREBUCHET
14	7	BUSHING, MAIN AXLE
15	2	VENTRAL SUPPORT, TREBUCHET
16	1	PENCIL OF DECENT QUALITY
17	1	TRIGGER PLATE, TREBUCHET
18	2	SIDE FRAME, TREBUCHET

NOTE:
ALL METRIC HARDWARE CAN BE
SUBSTITUTED WITH ¼" EQUIVALENTS
IN THE NEAREST US SIZE





COUNTERWEIGHT ASSEMBLY

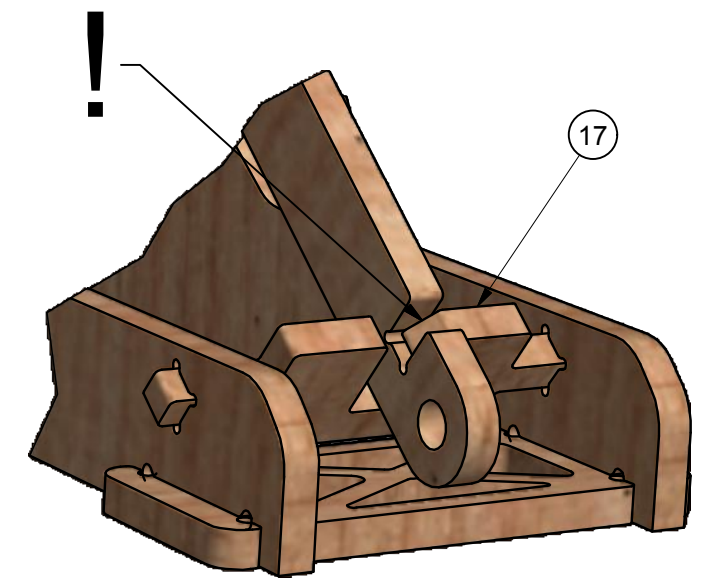
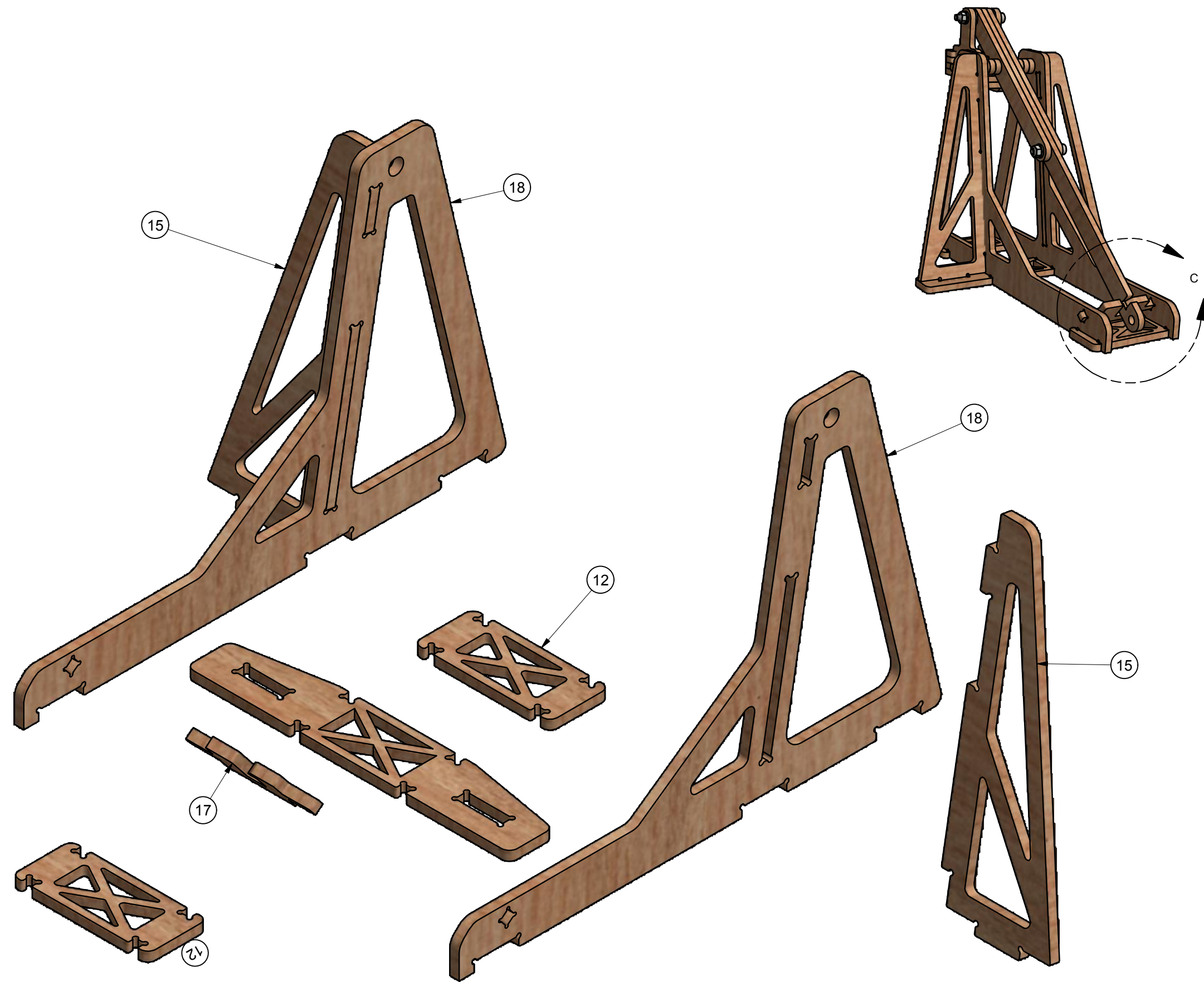


DETAIL A
SCALE 2 / 3

DETAIL B
SCALE 1 / 2

Part List		
ITEM	QTY	DESCRIPTION
1	2	HEX NUT, M6x1
2	4	WASHER, PLAIN, M6
3	2	WASHER, PLAIN, M6
4	1	SOCKET HEAD CAP SCREW, M6x30
5	1	SOCKET HEAD CAP SCREW, M6x50
6	1	COUNTERWEIGHT BASE PLATE, TREBUCHET
7	2	COUNTERWEIGHT MAIN FRAME, TREBUCHET
8	4	COUNTERWEIGHT INSERT, TREBUCHET
9	3	STACK OF 16 PENNIES
10	1	THROWING ARM, PRIMARY, TREBUCHET
11	2	ARM SUPPORT, TREBUCHET
12	2	TRANSVERSE BRACE, TREBUCHET
13	1	TRANSVERSE BRACE, EXTENDED, TREBUCHET
14	7	BUSHING, MAIN AXLE
15	2	VENTRAL SUPPORT, TREBUCHET
16	1	PENCIL OF DECENT QUALITY
17	1	TRIGGER PLATE, TREBUCHET
18	2	SIDE FRAME, TREBUCHET

Part List		
ITEM	QTY	DESCRIPTION
1	2	HEX NUT, M6x1
2	4	WASHER, PLAIN, M6
3	2	WASHER, PLAIN, M6
4	1	SOCKET HEAD CAP SCREW, M6x30
5	1	SOCKET HEAD CAP SCREW, M6x50
6	1	COUNTERWEIGHT BASE PLATE, TREBUCHET
7	2	COUNTERWEIGHT MAIN FRAME, TREBUCHET
8	4	COUNTERWEIGHT INSERT, TREBUCHET
9	3	STACK OF 16 PENNIES
10	1	THROWING ARM, PRIMARY, TREBUCHET
11	2	ARM SUPPORT, TREBUCHET
12	2	TRANSVERSE BRACE, TREBUCHET
13	1	TRANSVERSE BRACE, EXTENDED, TREBUCHET
14	7	BUSHING, MAIN AXLE
15	2	VENTRAL SUPPORT, TREBUCHET
16	1	PENCIL OF DECENT QUALITY
17	1	TRIGGER PLATE, TREBUCHET
18	2	SIDE FRAME, TREBUCHET



DETAIL C
SCALE .75